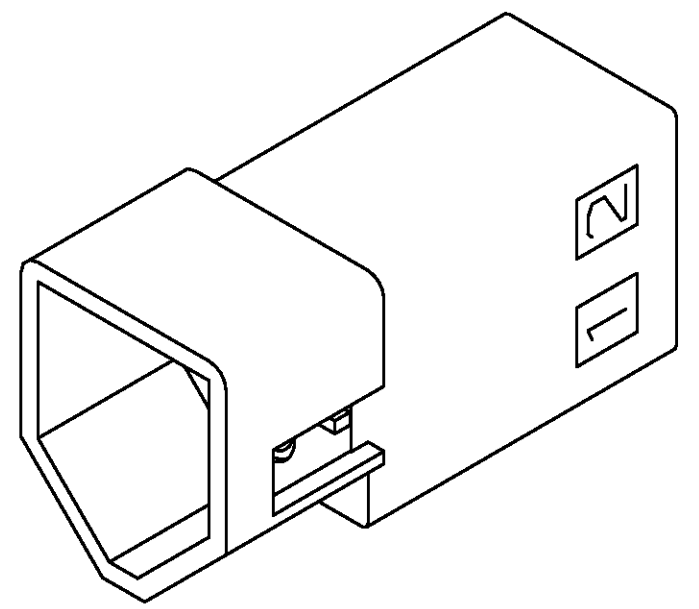
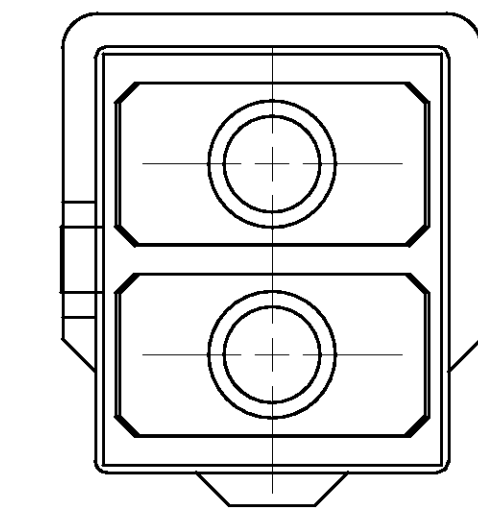
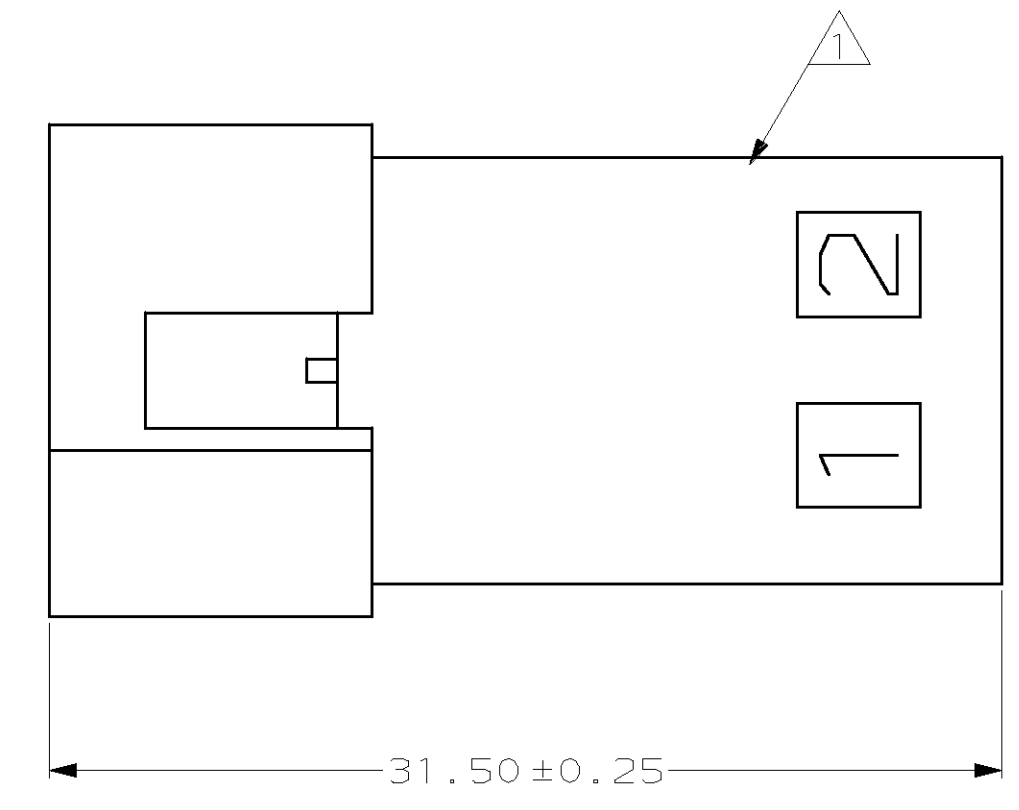
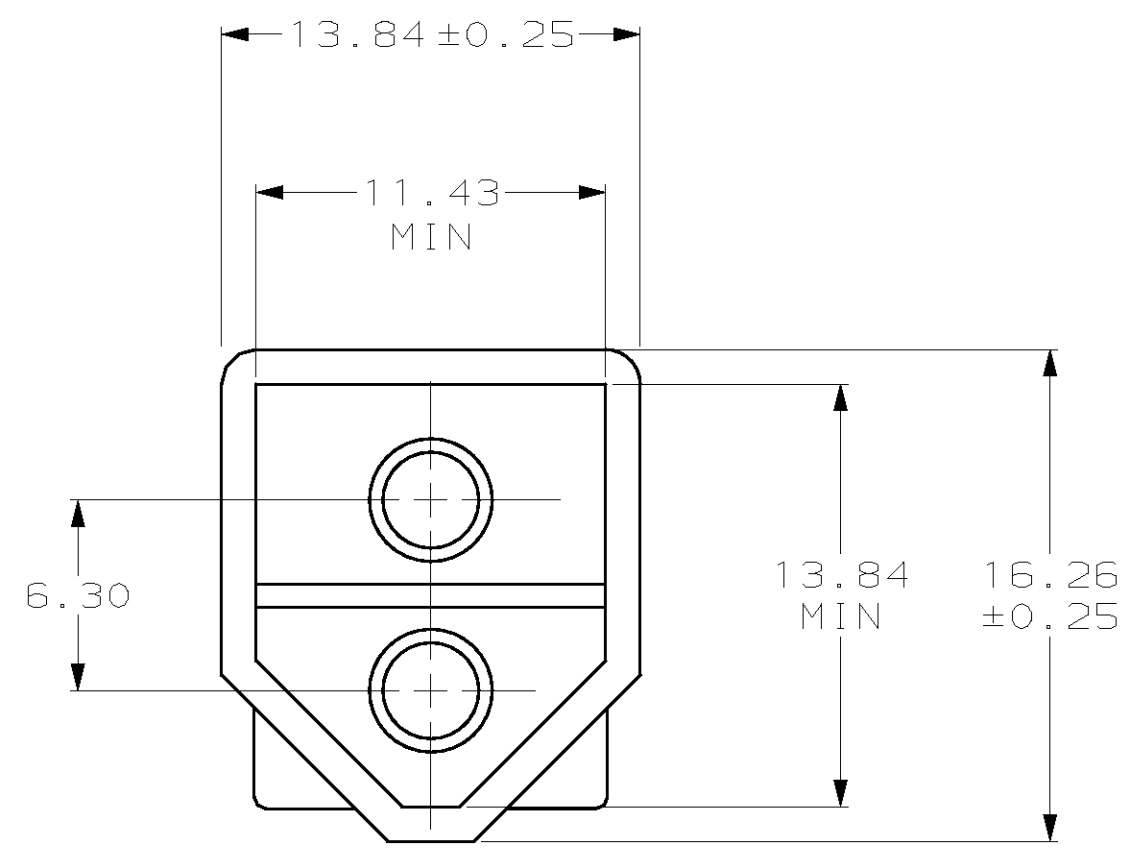


LOC	QTY	REV	DATE	BY	CHK	APPV
CM	53	E	2-25-98	REV & REDWN PER EC	OL30-0287-97	2-25-98

△ AMP LOGO LOCATED THIS SURFACE.
 2. PARTS ARE DUAL WIRE COMPATIBLE.



3-DIMENSIONAL MODEL NTS

MM	IN
31.50	1.240
16.26	.640
13.84	.545
11.43	.450
6.30	.248
2.36	.093
0.25	.010
0.13	.005
MM	IN

CONVERSION TABLE

770365-1
 PART NUMBER



THIS DRAWING IS A CONTROLLED DOCUMENT.		DWN: K. WHITAKER 2-25-98	AMP Incorporated Harrisburg, PA 17105-3608
DIMENSIONS: mm		CHK: R. SWING 2-25-98	
TOLERANCES UNLESS OTHERWISE SPECIFIED:		APPV: K. CORLE 2-25-98	DATE: 2-25-98
0.13	±	PRODUCT SPEC	PLUG, 2 CIRCUIT, .093 PIN AND SOCKET
0.25	±	APPLICATION SPEC	SIZE: A1
0.13	±	HEIGHT	SCALE: 4:1
0.13	±	CUSTOMER DRAWING	SHEET 1 OF 1
MATERIAL: NYLON, JL 94V-2, NATURAL	FINISH: -	DRAWING NO: 770365	REV: F